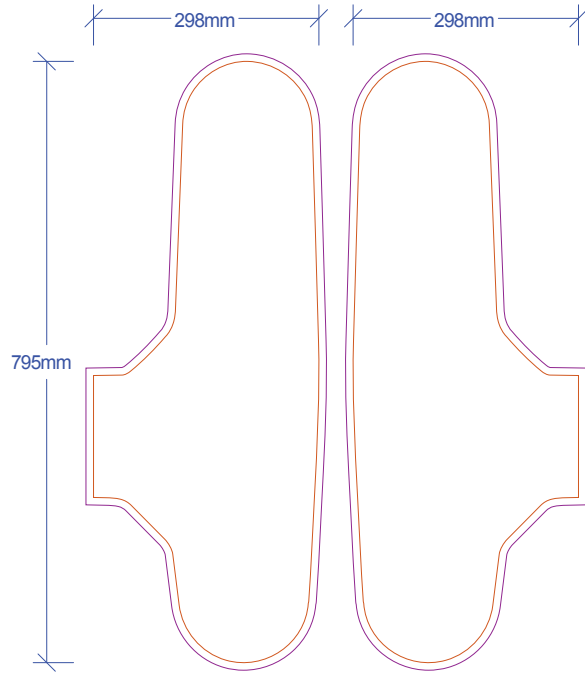


Artwork Supply

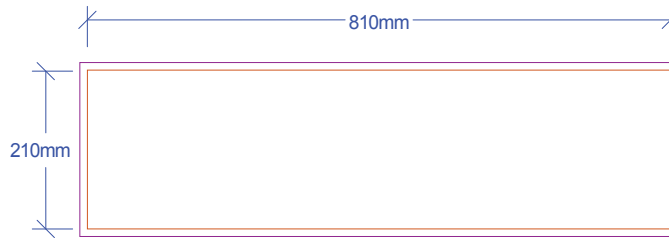
<https://www.mailbigfile.com/stewartsignsjcdecaux>

Artwork Guidelines

http://www.stewartsigns.co.uk/docs/Artwork_Requirements.pdf



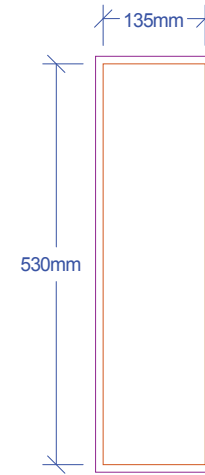
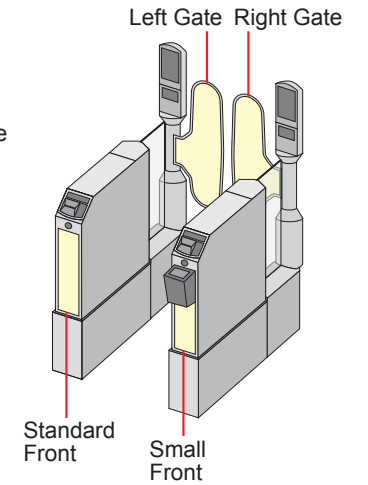
Adgate Paddles



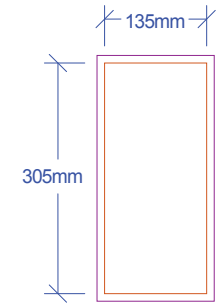
Baggage Lane

Fronts

Please design the same creative to each front since you will get one or the other depending on whether there are bar code readers on the gate or not. Standard fronts are used where there is no reader.



Standard Front



Small Front

Illustrator Layers

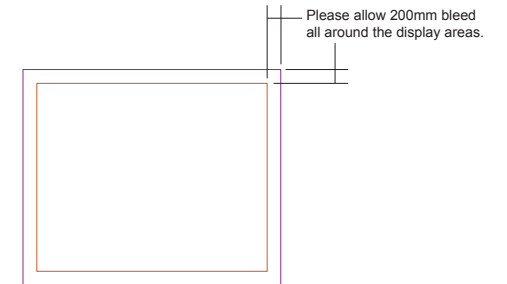
Bleed

Please provide enough graphic to fill the bleed areas. Continue images under all fixtures and fittings. Images should be tiled to fit inside the marked areas (Please note the overlaps).

Graphics

Please place the creative on this layer. Image should continue under fixtures and fittings.

This template is at 10% of actual size, therefore 10mm = 100mm.
Resolution of images need to be 400-500 dpi at 10%, to give 40-50dpi at actual size.



Intellectual property and copyright. Stewart Signs Limited retain all intellectual property rights and copyright for this document. All rights reserved. It may not be duplicated, altered or distributed without explicit written consent. Stewart Signs Limited do not accept any contractual or consequential liability for the content, scale or dimensional accuracy of this document. It should be used for indication purposes only. Stewart Signs Rail, Trade Fitting & Maintenance (TFM) and Highway Visibility are trading names of Stewart Signs Limited

Drawing Number	Date	Customer	Description	JCDecaux
AC/jcd-adgate-typeC-v1 SG02692-01	14/04/15	JCDecaux Rail	Adgates - Type C Template	Tel: 023 8025 4781 www.stewartsigns.co.uk