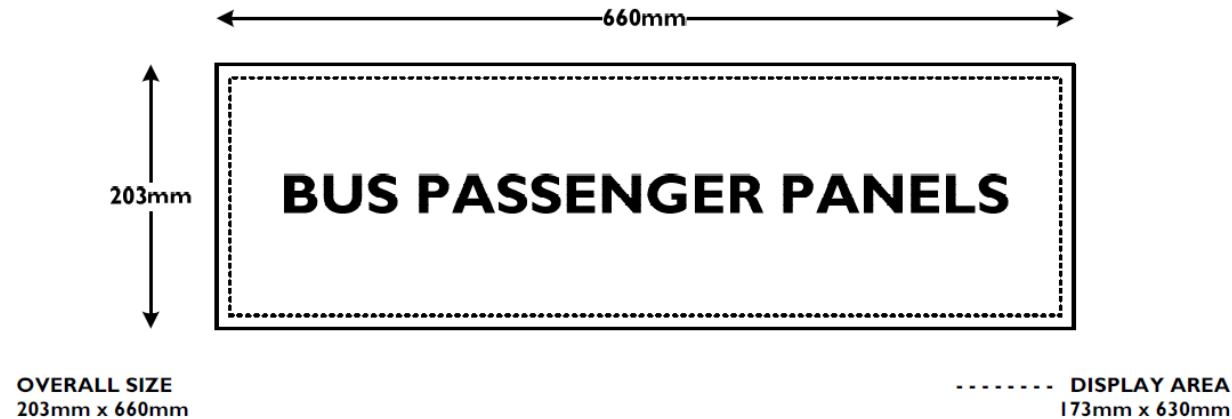


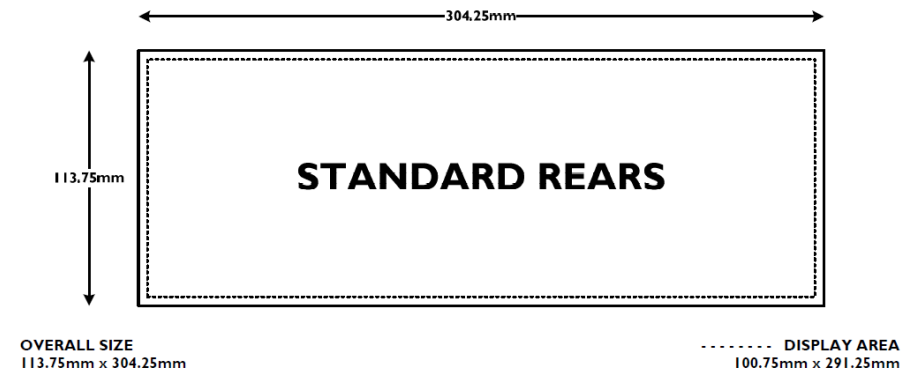
Bus Passenger Panels Specifications



ARTWORK REQUIREMENTS

- Overall Size - 203mm X 660mm
- Display Area - 173mm X 630mm
- Please convert all RGB files to CMYK. All images must be scanned at hi-resolution, no less than 300dpi. All screen and printer fonts must be supplied, if this is not possible, all text must be created as outlines. For colour linework, all Pantone references must be specified within the digital file. The artwork must be created to the Overall Size shown in the line drawing and include 10mm of 'bleed' all round.

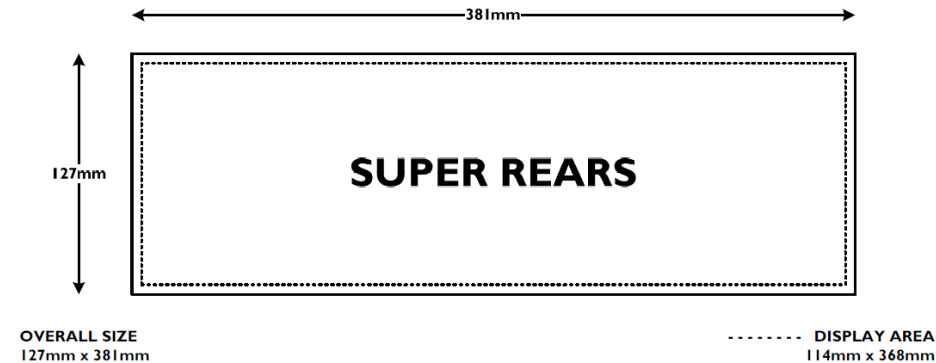
Bus Rears (Standard Specification)



ARTWORK REQUIREMENTS

- Overall Size - 113.75mm X 304.25mm
- Display Area - 100.75mm X 291.25mm
- Please convert all RGB files to CMYK. All images must be scanned at hi-resolution, no less than 300dpi. All screen and printer fonts must be supplied, if this is not possible, all text must be created as outlines. For colour linework, all Pantone references must be specified within the digital file. The artwork must be created to the Overall Size shown in the line drawing and include 2.5mm of 'bleed' all round.

Bus Rears (Super) Specifications



ARTWORK REQUIREMENTS

- Overall Size - 127mm X 381mm
- Display Area - 114mm X 368mm
- Please convert all RGB files to CMYK. All images must be scanned at hi-resolution, no less than 300dpi. All screen and printer fonts must be supplied, if this is not possible, all text must be created as outlines. For colour linework, all Pantone references must be specified within the digital file. The artwork must be created to the Overall Size shown in the line drawing and include 2.5mm of 'bleed' all round.

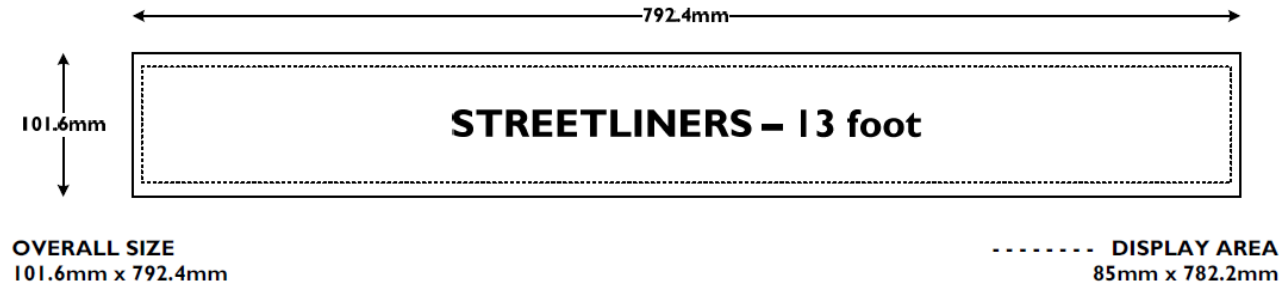
Bus Streetliners (10 ft) Specifications



ARTWORK REQUIREMENTS

- Overall Size – 101.6mm X 609.9mm
- Display Size – 85mm X 599.2mm
- Please convert all RGB files to CMYK. All images must be scanned at hi-resolution, no less than 300dpi. All screen and printer fonts must be supplied, if this is not possible, all text must be created as outlines. For colour linework, all Pantone references must be specified within the digital file. The artwork must be created to the Overall Size shown in the line drawing and include 2mm of 'bleed' all round.

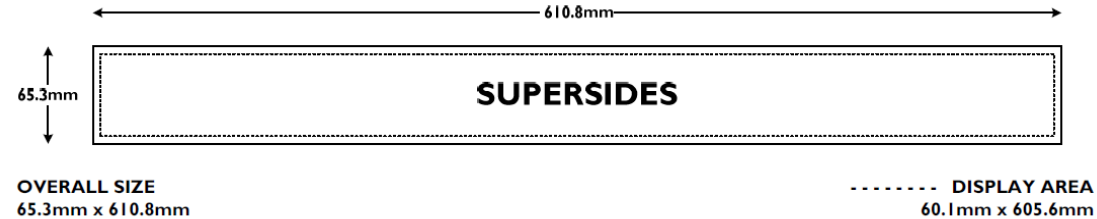
Bus Streetliners (13 ft) Specifications



ARTWORK REQUIREMENTS

- Overall Size - 101.6mm X 792.4mm
- Display Area - 85mm X 782.2mm
- Please convert all RGB files to CMYK. All images must be scanned at hi-resolution, no less than 300dpi. All screen and printer fonts must be supplied, if this is not possible, all text must be created as outlines. For colour linework, all Pantone references must be specified within the digital file. The artwork must be created to the Overall Size shown in the line drawing and include 2mm of 'bleed' all round.

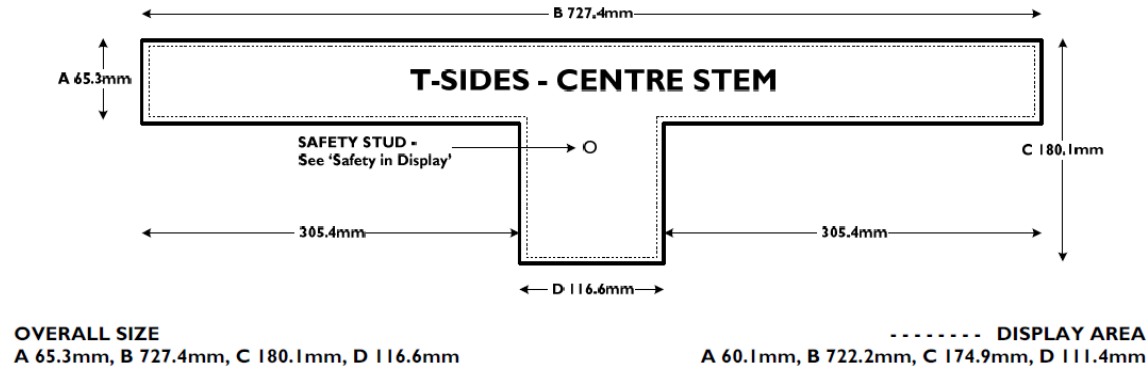
Bus Supersides Specifications



ARTWORK REQUIREMENTS

- Overall Size – 65.3mm X 610.8mm
- Display Area – 60.1mm X 605.6mm
- Please convert all RGB files to CMYK. All images must be scanned at hi-resolution, no less than 300dpi. All screen and printer fonts must be supplied, if this is not possible, all text must be created as outlines. For colour linework, all Pantone references must be specified within the digital file. The artwork must be created to the Overall Size shown in the line drawing and include 1mm of 'bleed' all round.

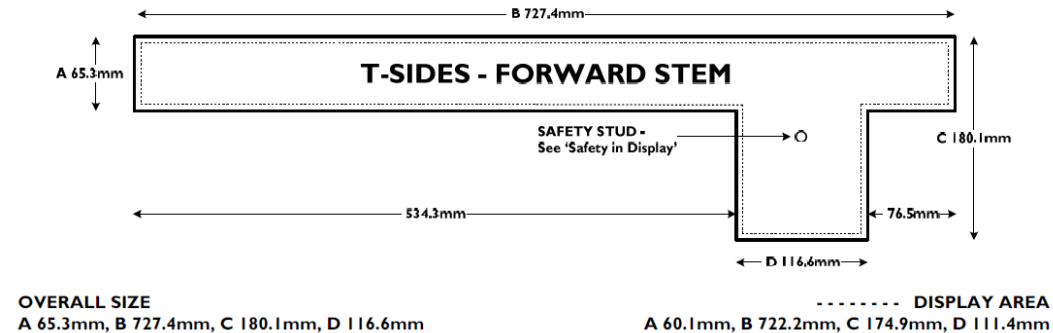
Bus T-Sides (Centre Stem) Specifications



ARTWORK REQUIREMENTS

- **Overall Size** – A: 65.3mm, B: 727.4mm, C: 180.1mm, D: 116.6mm.
- **Display Size** – A: 60.1mm, B: 722.2mm, C: 174.9mm, D: 111.4mm.
- Please convert all RGB files to CMYK. All images must be scanned at hi-resolution, no less than 300dpi. All screen and printer fonts must be supplied, if this is not possible, all text must be created as outlines. For colour linework, all Pantone references must be specified within the digital file. The artwork must be created to the Overall Size shown in the line drawing and include 1mm of 'bleed' all round.

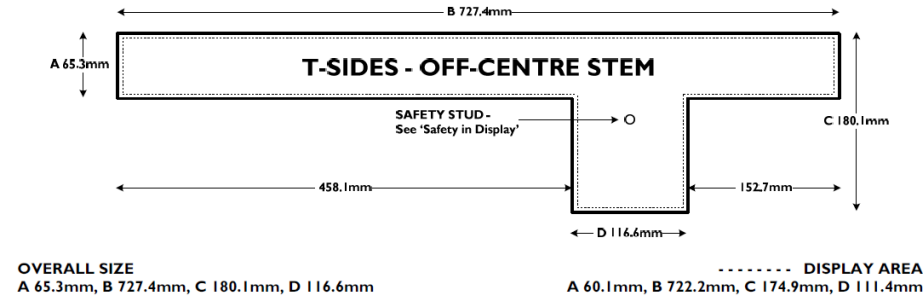
Bus T-Sides (Forward Stem) Specifications



ARTWORK REQUIREMENTS

- **Overall Size** – A: 65.3mm, B: 727.4mm, C: 180.1mm, D: 116.6mm
- **Display Size** – A: 60.1mm, B: 722.2mm, C: 174.9mm, D: 111.4mm.
- Please convert all RGB files to CMYK. All images must be scanned at hi-resolution, no less than 300dpi. All screen and printer fonts must be supplied, if this is not possible, all text must be created as outlines. For colour linework, all Pantone references must be specified within the digital file. The artwork must be created to the Overall Size shown in the line drawing and include 1mm of 'bleed' all round.

Bus T-Sides (Centre Stem) Specifications



ARTWORK REQUIREMENTS

- **Overall Size** – A: 65.3mm, B: 727.4mm, C: 180.1mm, D: 116.6mm
- **Display Size** – A: 60.1mm, B: 722.2mm, C: 174.9mm, D: 111.4mm.
- Please convert all RGB files to CMYK. All images must be scanned at hi-resolution, no less than 300dpi. All screen and printer fonts must be supplied, if this is not possible, all text must be created as outlines. For colour linework, all Pantone references must be specified within the digital file. The artwork must be created to the Overall Size shown in the line drawing and include 1mm of 'bleed' all round.